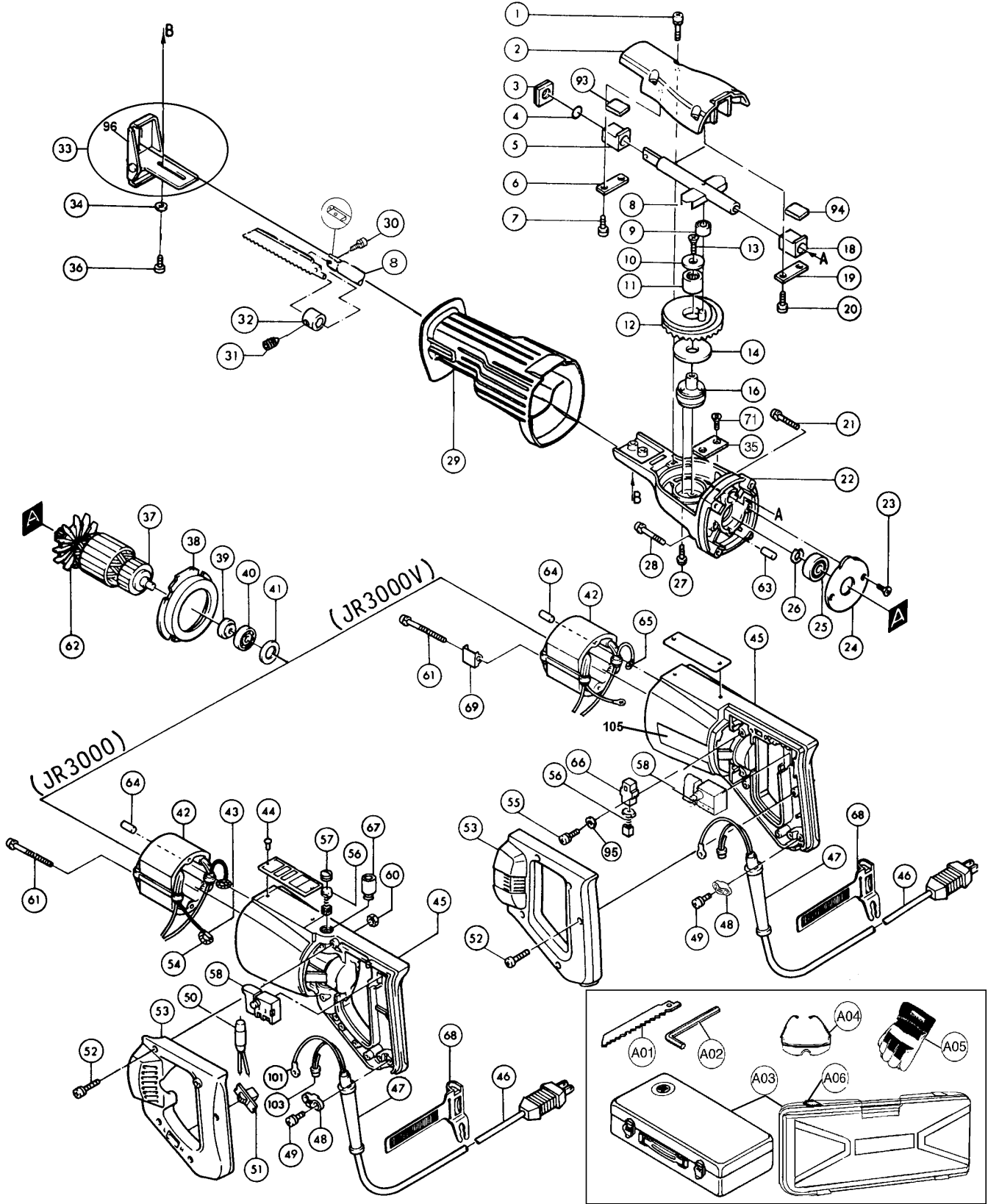




# RECIPRO SAW

Model JR3000\* (2 Speed)(MJ)  
(Discontinued in 2001)

Model JR3000V (MJ, MCA, MCC)  
(Variable Speed)



Item No.	Part No.	No. Used	Description	Item No.	Part No.	No. Used	Description
1	911241-2	4	P.H. Screw M5x25 (With Washer)	21	911251-9	2	P.H. Screw M5x30 (With Washer) (JR3000*)
2	315084-8	1	Gear Hsg Cover (MJ)		*	2	P.H. Screw M5X30/Tapping Screw 5X35 (JR3000V) (MJ,MCA)
	316486-1	1	Gear Cover (JR3000V)(MCA)		266012-5	2	Tapping Screw 5X35 (JR3000V)(MCC)
	317503-0	1	Gear Hsg Cover (JR3000V)(MCC)				
3	155322-4	1	Seal Com. (In cludes Item 4)	22	*	1	Gear Hsg (In cludes Item 63)(MJ)
4	213107-5	1	O Ring 12		316485-3	1	Gear Hsg (JR3000V)(MCA)
					152924-7	1	Gear Hsg Com(JR3000V)(MCC) (Includes Item 63)
5	*	1	Plane Bear ing 12.7(MJ, MCA)				
	214167-0	1	Plane Bearing 12.7(MCC)				
6	341462-6	1	Plate	23	912122-3	2	Screw M4x14 (Type 1)
					251295-0	2	Screw M4x14 (W/Thread Adhesive) (Type 2)
7	911221-8	2	P.H. Screw M5x16 (With Washer)(MJ)	24	285650-4	1	Bearing Retainer 54
	911225-0	2	P.H. Screw M5x16 (W/Bond) (JR3000V)(MCA, MCC)	25	211087-9	1	Ball Bear ing 6200DDW
				26	961006-2	1	Re taining Ring S-10
8	*	1	Slider (MJ, MCA)				
	163392-9	1	Slider (MCC)	27	911211-1	3	P.H. Screw M5x12 (With Washer) (MJ, MCA)
9	212001-8	1	Need le Bear ing 708		911215-3	3	P.H. Screw M5X12 (JR3000V)(MCC)
10	*	1	Flat Washer (JR3000*)	28	911256-9	2	P.H. Screw M5x35 (With Washer) (JR3000)
	253816-4	1	Flat Washer 6 (JR3000V)		*	2	P.H. Screw M5X35/Tapping Screw 5X35 (JR3000V) (MJ,MCA)
11	*	1	Need le Bear ing (JR3000*)		266012-5	2	Tapping Screw 5X35 (JR3000V)(MCC)
	212115-3	1	Need le Bear ing 1216( JR3000V)				
12	*	1	Gear (JR3000*) (MJ)	29	421476-2	1	Insulation Cover (MJ, MCA)
	*	1	Gear As sy (JR3000V) (MJ) (In cludes Item 11)		421801-7	1	Insulation Cover (JR3000V)(MCC)
	133244-8B	1	Gear Assy (JR3000V) (MCA, MCC) (In cludes Item 11)	30	*	1	Spring Washer/Spring Pin/Hex Socket Head Bolt (MJ, MCA)
					266090-5	1	H.S.H. Bolt M5X15 (JR3000V)(MCC)
13	*	1	C.H. Screw (JR3000*)(MJ)				
	*	1	C.H. Screw (JR3000V)(MJ)	31	*	1	Hex Flange Head Bolt/Stop Screw (MJ, MCA)
	251372-8	1	C.H. Screw M5x12 (JR3000V)(MCA)		265836-6	1	Stop Screw M8X9 (JR3000V)(MCC)
	251969-3	1	H.S.H. Bolt M5X12 (JR3000V)(MCC)				
14	*	1	Washer (JR3000*)	32	*	1	Blade Clamp (MJ,MCA)
	253805-9	1	Washer 18(JR3000V)		313075-3	1	Blade Clamp (JR3000V)(MCC)
15	*	1	Washer 18(JR3000*)	33	<b>163258-3</b>	1	ShoeCom. (In cludes Item 96) (Old 163118-9)
16	*	1	Gear Shaft (JR3000*)	34	941101-4	2	Flat Washer 5
	321263-8	1	Gear Shaft (JR3000V)	35	343981-8	1	Plate C (Added) * (MJ, MCC)
17	*	1	Space Block	36	922216-6	2	Hex Socket Head Bolt M5x14 W/Washer
18	*	1	Plane Bear ing 12.7(MJ, MCA)	37	*	1	Arma ture As sy(JR3000*) (In cludes Items 39, 40 & 62)
	214167-0	1	Plane Bearing 12.7 (MCC)		516161-1	1	Arma ture As sy(JR3000V)(MJ, MCA) (Includes Items 39, 40 & 62)
19	*	*	Plate(MJ)		516456-2	1	Arma ture As sy (JR3000V)(MCC) (Includes Items 39, 40 & 62)
	343526-2	1	Plate (JR3000V)(MCA)				
	341462-6	1	Plate (JR3000V)(MCC)				
20	911221-8	2	P.H. Screw M5x16 (With Washer)(MJ)	38	411612-8	1	Baffle Plate (MJ, MCA)
	911225-0	2	P.H. Screw M5x16 (With Bond) (JR3000V)(MCA, MCC)		417613-4	1	Baffle Plate (MCC)
				39	681613-2	1	Insulation Washer (MJ, MCA)
					681653-0	1	Insulation Washer (MCC)

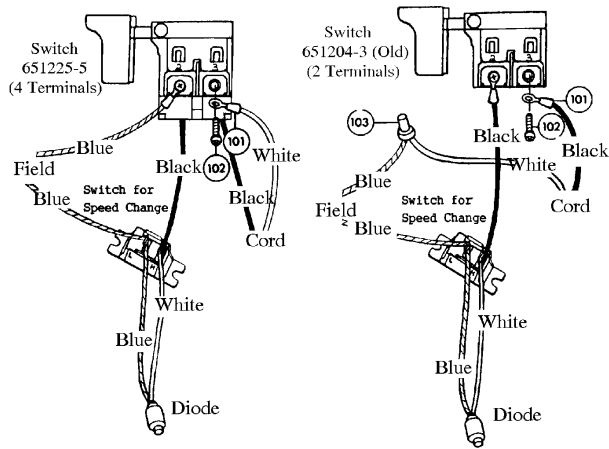
2 Model JR3000  
2 Model JR3000V

Item No.	Part No.	No. Used	Description	Item No.	Part No.	No. Used	Description
40	211033-2	1	Ball Bearing 608LB	58	651225-5	1	Switch 4 Terminal (JR3000*)
41	253192-6	1	Flat Washer 14		651204-3	1	Switch 2 Terminal (JR3000*) (No Longer Available)
42	622481-4	1	Field Assy (JR3000*)(With Items 43 & 54)		*	1	Switch 8A (JR3000V) (MJ, MCA)
	*	1	Field Assy (JR3000V)(With Item 65)(MJ)		651271-8	1	Switch (JR3000V) (MCC Type 1)
	594161-1	1	Field Assy (JR3000V)(MCA)		<b>650206-6</b>	1	Switch (JR3000V) (MCC Type 2)
	594416-4	1	Field Assy (JR3000V)(MCC)	59	*	1	Dust Cover (JR3000V)
43	654501-6	2	Connector P-1.25 (JR3000*)	60	931102-0	4	Hex Nut M4 *
44	953106-2	2	Rivet 0-5 (JR3000*)	61	*	2	Screw (MJ, MCA)
45	156066-9	1	Motor Housing (JR3000*) (MJ) (With Items 60, 64 & 67)		<b>266095-5</b>	2	Tapping Screw 5X55 (JR3000V)(MCC)
	*	1	Motor Housing (JR3000V) (MJ, MCA) (With Items 60 & 64)	62	241631-8	1	Fan 66 (MJ, MCA)
	183351-7	1	Motor Housing (JR3000V) (MCC) (Includes Items 64 & 105)		241832-8	1	Fan 62 (JR3000V) (MCC)
46	664013-1	1	Cord With Plug 2P-18-2.5	63	263002-9	1	Rubber Pin 4
47	682502-4	1	Cord Guard 8-85	64	263014-2	1	Rubber Pin 4
48	687002-9	1	Strain Relief (JR3000*)	65	654038-3	2	Insulated Eye Terminal FV1.25-M4 (JR3000V)
	*	1	Strain Relief (JR3000V) (MJ, MCA)	66	643551-6	2	Brush Holder (JR3000V)
	687063-9	1	Strain Relief (JR3000V) (MCC)	67	643556-6	2	Brush Holder (JR3000*)
49	*	2	Screw (MJ, MCA)	68	410048-8	1	Hex Wrench Holder
	265995-6	2	Tapping Screw 4X18 (JR3000V)(MCC)	69	343657-7	2	Retainer (Added) (JR3000V)*
50	631010-2	1	Diode (JR3000*)	70	*	1	Pin 3
51	651600-5	1	Switch for Speed Change (JR3000*)	71	251969-3	2	H.S.H. Bolt M5x12 *(MJ, MCC)
52	*	4	Screw (MJ, MCA)	91	*	1	Washer (JR3000*)
	265999-8	4	Tapping Screw 4X25 (JR3000V)(MCC)	92	*	1	Retaining Ring (JR3000*)
53	411204-3	1	Handle Cover (JR3000*)	93	443070-0	1	Felt Pad
	*	1	Handle Cover (JR3000V) (MJ, MCA)	94	443070-0	1	Felt Pad
	417611-8	1	Handle Cover (JR3000V) (MCC)	95	941101-4	2	Flat Washer 5 (Added) * (MJ, MCA)
54	654018-9	2	Gar ter Spring (JR3000*)	96	344095-6	1	Shoe Plate
55	*	2	Screw (MJ, MCA)	100	652030-3	4	(-) Set Screw M3x7.5 (JR3000V)
	265995-6	2	Tapping Screw 4X18 (JR3000V)(MCC)	101	654037-5	2-4	Insulated Eye Terminal FV1.25-M3 (JR3000*)
56	191947-0	2	Car bon Brush CB-76 (JR3000*)	102	652008-6	2-4	P.H. Screw M3.5x7 (JR3000*) (With Washer)
	181500-0	2	Auto Cut-Off Car bon Brush CB-60 (JR3000*) (Optional)	103	654509-0	1	Closed End Con nector 2-SD (JR3000*)
	191956-9	2	Car bon Brush CB-75 (JR3000V) (Old 181026-2 CB-55)	105	<b>819063-3</b>	2	Makita Label (MCC)
	181502-6	2	Auto Cut-Off Car bon Brush CB-62 (JR3000V) (Op tional) (No Lon ger Available)	<b>Accessories</b>			
57	643550-8	2	Brush Holder Cap (JR3000*)	A01	-----	1	Saw Blade (See Cat a logue for De tails)
					<b>192342-7</b>	1	Recipro Saw Blade Set (3pc)Type 1)
					<b>193572-3</b>	1	Recipro Saw Blade Set (3pc)Type 2)
				A02	783202-0	1	Hex Wrench 4
				A03	824412-1	1	Plas tic Carrying Case (MCA) (Includes Item A06)
					824539-7	1	Plastic Carrying Case (MCC) (Includes Item A06)
				A04	191686-A	1	Safety Glasses
				A05	G-00001	1	Leather Work Gloves
				A06	A00188-3	2	Snap Lock (L)

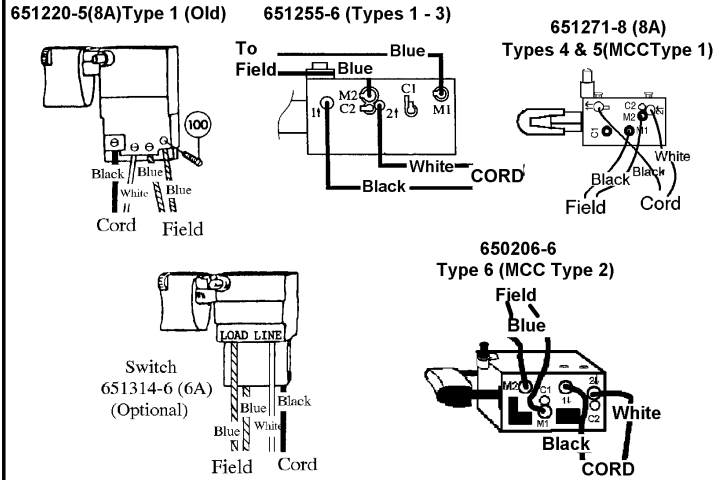
\* SEE SERVICE CHANGES

3 Model JR3000\*  
3 Model JR3000V

**WIRING DIAGRAMS JR3000\***

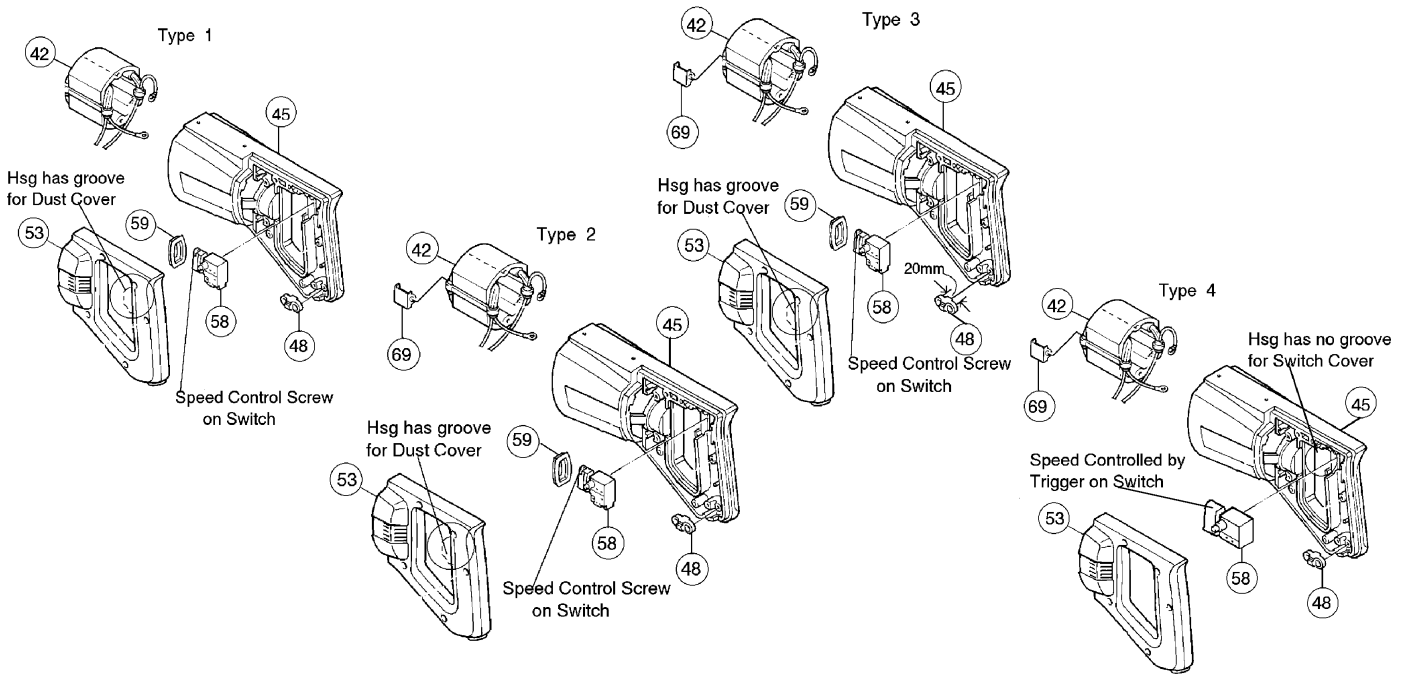


**WIRING DIAGRAMS JR3000V**



**SERVICE CHANGES**

**1. Change on Field, Motor Hsg, Handle Cover, Switch etc. (JR3000V only)(MJ, MCA) .**

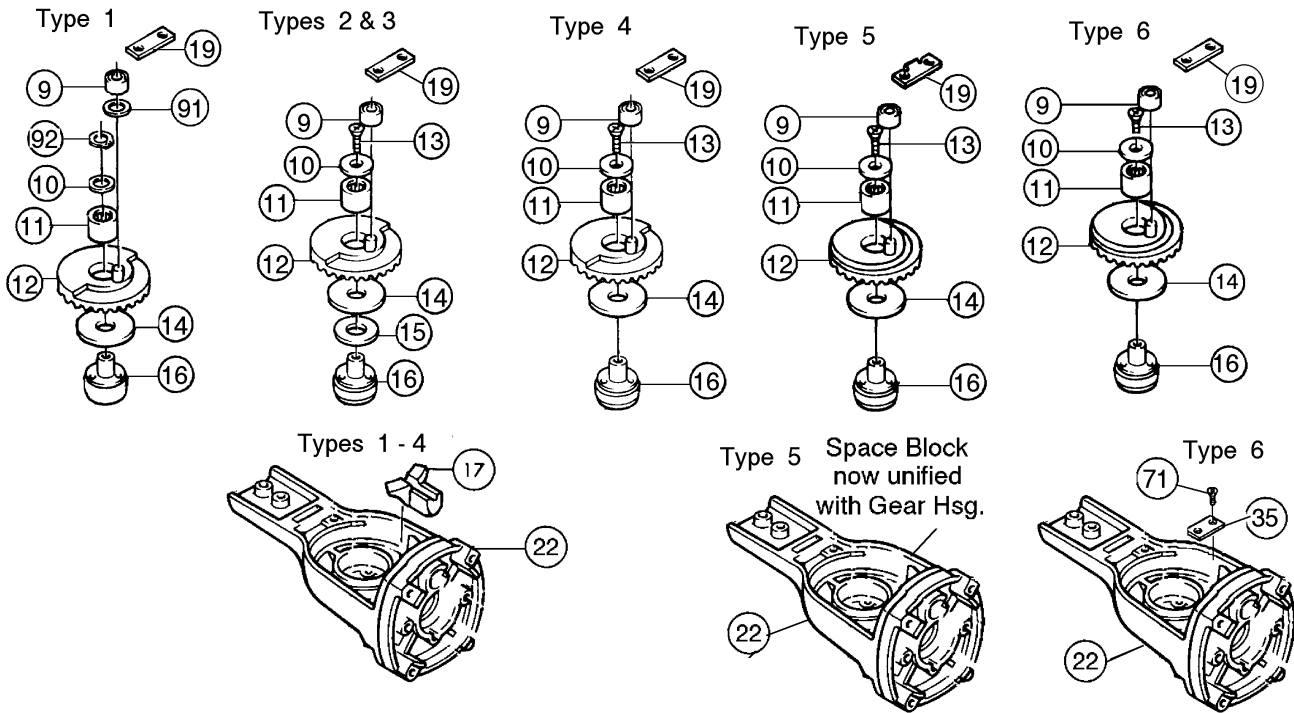


Item No.	Description	Type 1	Type 2	Type 3	Type 4	Type 5	Type 6
42	Field	622486-4 (No Longer Available)			594071-2		
45	Motor Housing Com.	157132-5 (No Longer Available)		159482-4	159592-7 (No Longer Available)		See Service Change #5
48	Strain Relief	687002-9 (No Longer Available)			687063-9		
53	Handle Cover		410068-2			415240-1	
58	Switch	651255-6 (651220-5) (No Longer Available)			651271-8		<b>650206-6</b>
59	Dust Cover		421145-5			----	
69	Retainer	----			343657-7		
	Serial No.	~ 853656E	853657E ~1269926E	1269927E ~			N/A

Above parts are completely interchangeable as a set.

- 4 Model JR3000\*
- 4 Model JR3000V

**2. Change on Armature, Gear, Gear Shaft etc. (MJ)**

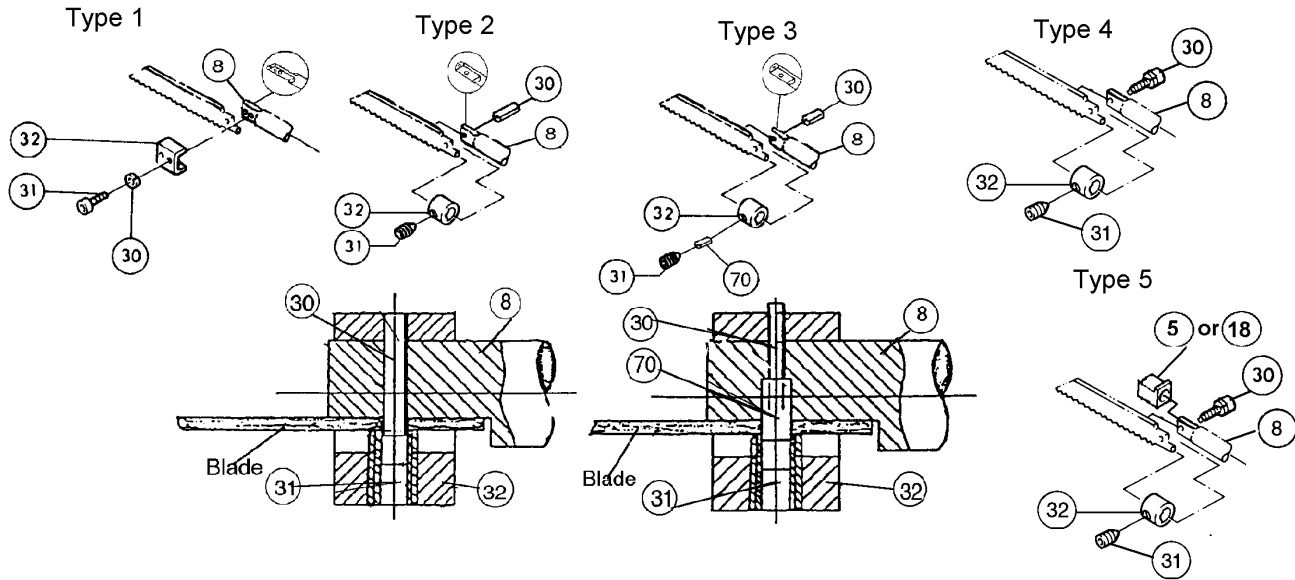


Item No.	Description	Type 1	Type 2	Type 3	Type 4	Type 5	Type 6	
10	Flat Washer	253744-3(12)	253816-4 (6)					
11	Needle Bearing	212104-8(1214)	212115-3(1216)					
12	Gear/Gear Assembly	153118-7 (73 Teeth) (No Longer Available)	133244-8 (73 Teeth) (No Longer Available)	133244-8A (55 Teeth) (No Longer Available)		133244-8B (55 Teeth)		
			(Inc. Items 11, 14 & 15)		(Inc. Item 11 & 14)	(Inc. Item 11)		
13	C.H. Screw / H.S.H. Bolt	----	912217-2 M5x14			251372-8 C.H. M5x12	251969-3 H.S.H. M5x12	
14	Washer 18	253198-4	253805-9					
15	Washer 18	----	253815-6 (Added)		-----			
16	Gear Shaft	321093-7 (No Longer Available)	321263-8					
17	Space Block	421162-5				-----		
19	Plate	341462-6 (2 pieces)				343526-2 (1 piece)	341462-6 (1 piece)	
22	Gear Hsg Com.	315083-0 (No Longer Available)				159679-5 (No Longer Available)	159718-1	
35	Plate C	-----					343981-8 (Add)	
37	Armature	612676-7 (No Longer Available)		516161-1 [612676-7A (No Longer Available)]				
71	H.S.H. Bolt M5x12	-----					251969-3 (2Pcs)(Add)	
91	Washer 7	253789-1 (No Longer Available)	-----					
92	Retaining Ring	961052-5 (No Longer Available)	-----					

Above parts are completely interchangeable as a set.

Type 5 & 6 Gear Assembly can replace Type 3 & Type 4 Gear Assembly.

3. Change on Slider, Blade Clamp etc. (MJ, MCA)

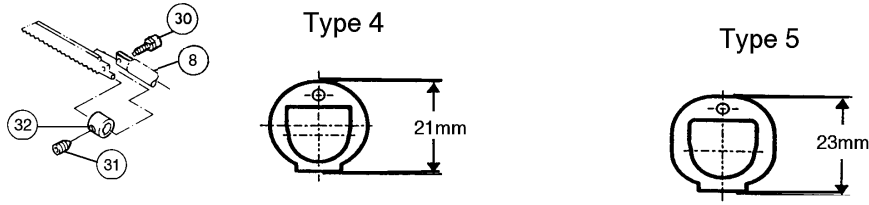


Item No.	Description	Type 1	Type 2	Type 3	Type 4	Type 5
8	Slider	163119-7 (No Longer Available)	163191-9 (No Longer Available)	163340-8 (No Longer Available)	163357-1 (No Longer Available)	163392-9
5/18	Plane Bearing 12.7	214157-3				[214166-2 (No Longer Available)] 214167-0
30	Spring Washer/Spring Pin Hex Socket Head Bolt	942101-7 Spring Washer 5	258009-8A Spring Pin 3.5-12	258018-7 Spring Pin 2.5-8	265986-7 (No Longer Available) H.S.H. Bolt M5x13/ MCA - 265986-A (No Longer Available) H.S.H. M5x14 (JR3000V only) (Please add adhesive when repairing)	266090-5 M5 X 15
31	H.S.H. Bolt/Stop Screw	922216-6 H.S.H. Bolt M5x14	265836-6 Stop Screw M8x9			
32	Blade Clamp	342342-9	321642-0	322502-9	313067-2 (No Longer Available) See Service Change # 4)	313075-3
70	Pin 3	----	----	256701-0A	----	
	Serial No. JR3000(MJ)	~ 131547E	131548E ~ 243691E	243692E ~ 259311E	259312E ~ 266459E	266460E ~
	Serial No. JR3000V (MJ, MCA)	~ 10528E	10529E ~ 1184921E	1184922E ~ 1549569E	1549570E ~ 1613030	

Above parts are completely interchangeable as a set.

Type 5 Plane Bearing (Item 5) replaces Type 1 ~ 4 Plane Bearings as itself.

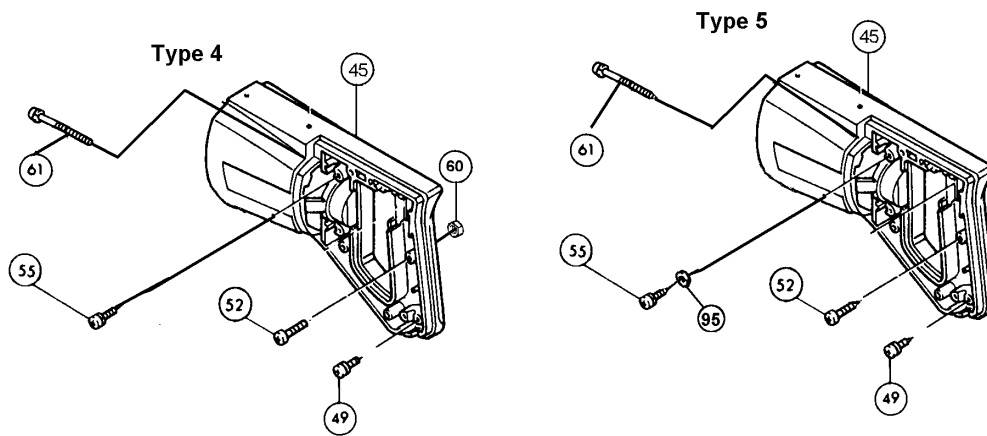
**4. Change on Blade Clamp & H.S.H. Bolt .(MJ, MCA)**



Item No.	Description	Type 4	Type 5
30	H.S.H. Bolt	265986-7 (MJ) (No Longer Available)	266090-5
		265986-A (MCA)(No Longer Available)	
32	Blade Clamp	313067-2 (No Longer Available)	313075-3
	Serial No. JR3000 (MJ)	~ 265821	265822 ~
	Serial No. JR3000V (MCA)	~ 475270	475271 ~

Above parts are completely interchangeable as a set.

**5. Change on Motor Housing etc.(JR3000V) (MJ,MCA)**



Item No.	Description	Type 4	Type 5	Type 6
21	P.H. Screw M5X30/Tapping Screw 5X35	911251-9 P.H. Screw		266012-5 ( Tapping Screw 5 X 35)
28	P.H. Screw M5X35/Tapping Screw 5X35	911256-9 P.H. Screw		266012-5 ( Tapping Screw 5 X 35)
45	Motor Housing	159592-7 (No Longer Available)	416402-4(No Longer Available)	151986-2
49	P.H. Screw M4x18/Screw PT4X18	911133-5		265995-6
52	P.H. Screw M4x28/Screw PT4x25	911153-9		265999-8
55	P.H. Screw M4x10/Screw PT4x18	911124-6		265995-6
60	Hex Nut M4	931102-0		-----
61	P.H. Screw M5x55/Screw PT 5x60	911280-2		266044-2
95	Flat Washer 5 (Added)	-----		941101-4 (2pcs)
	Serial No.	N/A	~ 1029795A	1029796A ~